



# VK

## 铝电解电容器-贴片型

### Aluminum electrolytic capacitor- SMD type

#### 特点 Features

- 125°C 1000~2000小时保证品。Load life of 1000-2000 hours at +125°C.
- 产品尺寸：Product size : Φ6.3~Φ12.5.
- 适用于车载电装品的高温用途。  
Available for high-temperature application of vehicle-mounted electrical appliances.
- RoHS指令 (2002/95/EC) 已对应完毕。Adapted to the RoHS directive (2002/95/EC) .

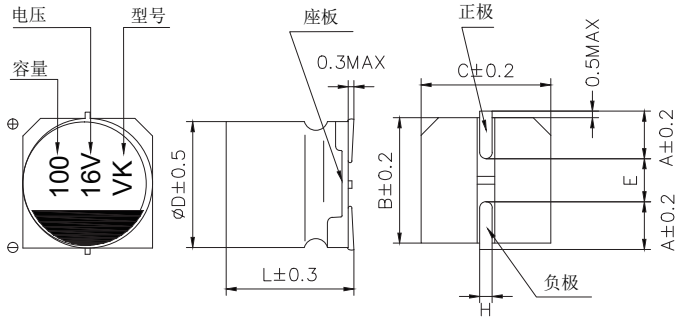


#### 主要技术性能 Specifications

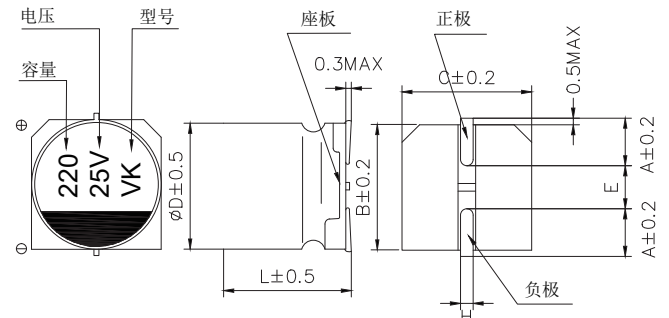
项目 Items	特性 Performance Characteristics					
工作温度范围 Operating Temperature Range	-40~+125°C					
额定电压范围 Rated Voltage Range	10~50V					
标称容量范围 Nominal Capacitance Range	10~1000μF					
标称容量允许偏差 Nominal Capacitance Tolerance	±20% (20°C, 120Hz)					
漏电流 Leakage Current	I ≤ 0.01CRVR or 3(μA), 取较大者 (2分钟) CR: 标称容量 (μF) UR: 额定电压 (V) I ≤ 0.01CRVR or 3(μA) Whichever is greater (at 20°C, after 2 minutes) CR: Nominal Capacitance (μF) UR: Rated voltages (V)					
损耗角正切 (tgδ) Dissipation Factor (Max) 20°C, 120Hz	U <sub>R</sub> (V)	10	16	25	35	50
	tgδ	0.30	0.24	0.20	0.17	0.14
耐久性 Load Life	+125°C连续加1000-2000小时额定电压小时后, 电容器应满足以下要求: After 1000-2000hours' application of rated voltage at 105°C, the capacitor shall meet the following requirement:					
	规定时间 Specified time	Φ6.3×5.8~Φ6.3×7.7:1000小时 Φ8~Φ12.5:2000小时				
	容量变化率 Capacitance Change	±30%初始值 Within ±30% of the initial value				
	损耗角正切 Dissipation Factor	≤ 300%初始规定值 Not more than 300% of the initial specified value				
	漏电流 Leakage Current	≤ 初始规定值 Not more than the initial specified value				
高温贮存 Shelf Life	+125°C贮存1000小时后, 加额定工作电压30分钟, 电容器应满足以上耐久性要求 After storage for 1000 hours at +125°C, UR to be applied for 30 minutes, the capacitors shall meet the requirement of load life above					
低温特性 Low Temperature Stability 阻抗比 Impedance Ratio (120Hz)	U <sub>R</sub> (V)	10	16	25	35	50
	Z(-25°C)/Z(+20°C)	6	5	4	3	3
	Z(-40°C)/Z(+20°C)	12	8	6	4	4
耐焊接热 Resistance to Soldering Heat	在250°C的条件下, 电容器在热板上保持30秒, 然后从热板上取出电容器, 让其在室温下恢复, 电容器应满足以下要求: The capacitors shall be kept on the hot plate maintained at 250°C for 30 seconds. After removing from the hot plate and restored at room temperature, they meet the following requirement.					
	容量变化率 Capacitance Change	±10%初始值以内 Within ±10% of the initial value				
	损耗角正切 Dissipation Factor	≤ 初始规定值 Not more than the initial specified value				
	漏电流 Leakage Current	≤ 初始规定值 Not more than the initial specified value				

## 外形图及尺寸表 Case Size Table

Φ6.3



Φ8~Φ12.5



单位 Unit: mm

	6.3×5.8	6.3×7.7	8×10.5	10×10.5	10×12.5	12.5×13.5
A	2.4	2.4	2.9	3.2	3.2	4.7
B	6.6	6.6	8.3	10.3	10.3	13
C	6.6	6.6	8.3	10.3	10.3	13
E	2.2	2.2	3.1	4.5	4.5	4.5
L	5.8	7.7	10.5	10.5	12.5	13.5
H	0.5~0.8		0.8~1.1			

 标称电容量、额定电压、额定纹波电流与尺寸对应表  
 Nominal Capacitance, Rated Voltage, Rated Ripple Current and Case Size Table

电压 WV (Vdc)	容量 Cap (μF)	产品 尺寸 Size	纹波电流 mArms 120Hz/125°C	电压 WV (Vdc)	容量 Cap (μF)	产品尺寸 Size	纹波电流 mArms 120Hz/125°C
10	68	6.3×5.8	50	35	10	6.3×5.8	50
	100	6.3×7.7	75		47	6.3×7.7	70
	220	8×10.5	130		100	8×10.5	130
	470	10×10.5	180		220	10×10.5	180
	1000	12.5×13.5	480		330	12.5×13.5	480
16	33	6.3×5.8	50	50	10	6.3×5.8	50
	100	6.3×7.7	75		22	6.3×7.7	70
	220	8×10.5	130		47	8×10.5	130
	330	10×10.5	180		100	10×10.5	180
	470	12.5×13.5	480		220	12.5×13.5	357
25	22	6.3×5.8	50				
	47	6.3×7.7	70				
	100	8×10.5	130				
	220	10×10.5	180				
	470	12.5×13.5	480				

 额定纹波电流频率修正系数  
 Frequency correction factor for ripple current

Frequency 频率	50Hz	120Hz	300Hz	1KHz	≥10KHz
Coefficient 系数	0.85	1.00	1.17	1.36	1.50